

BUTTERFLY VALVE DUPLEX 500

with seat in ductile cast iron, gearbox and Auma electric actuator
DN 150 - 1100 PN10/16/25

04.100A



Product description

- Butterfly valve series DUPLEX 500 with seat in ductile cast iron, gearbox and Auma electric actuator for drinking water and neutral liquids
- Service temperature from 0°C (excluding frost) to 70°C

Standards

- Designed according to EN 1074 parte 1 & 2 and EN 593
- Flange drilling to EN 1092-2 PN10/16/25
- Face-to-face according to EN 558 table 2 series 14
- ISO top flange according to ISO 5210
- Auma Norm multi-turn electric actuators with enclosure IP68 according to EN 60529

Tests

All valves are individually hydrostatically tested according to EN 1074-1/2 and EN 12266:

- Seal 1.1 x PN (in bar); Body: 1.5 x PN (in bar)

Corrosion protection

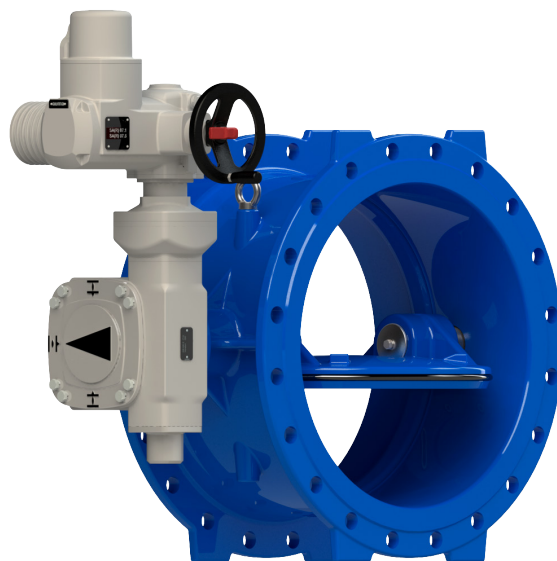
- Epoxy powder coating RAL 5005
- Applied internal and external with a minimum coating thickness of 250 µm
- Potable water approved epoxy coating, fusion bonded according DIN 3476-1, EN 14901 and GSK approved

Approvals

- GSK Epoxy Coating Certificate GSK-ID:1247 (RAL-GZ 662)

Features

- Isolation and flow regulation valve approved for drinking water
- Double eccentricity valve and bidirectional sealing allowing a perfect seal on both flow directions
- Body with integrated seat in ductile cast iron EN-GJS-500-7
- Shafts in stainless steel AISI 304 bronze covering
- Easy O-rings replacement
- Inovator shutter stability system which impedes its transversal displacement thus guaranteeing a permanent sealing
- Equipped with gearbox IP68 and electric actuator Auma Norm correctly adjusted in the factory, in the opening and closing positions, which guarantee its correct functioning
- Gearbox with worm-gear which blocks the shutter in any position, thus impeding that the impact of the flow changes its position
- Auma Norm electric actuator multi-turn SA with three-phase AC motors (3PH - 400V - 50Hz - IP68)
- On request possibility of actuator Auma Norm single phrase, Auma Matic, Aumatic or others, obturator sealing in NBR/SBR and shafts in stainless steel AISI 316.



RAL GUTZEICHEN
SCHWEISS KENNZEICHEN
VON ARMATUREN UND FORMSTÜCKEN



Fucoli Somepal
FUNDAÇÃO DE FERRO, S. A.

Visit our website at www.fucoli-somepal.pt

Head office: Estrada de Coselhas, 3000-125 Coimbra – Portugal | Tel.: (+351) 239 490100 | Fax: (+351) 239 490198

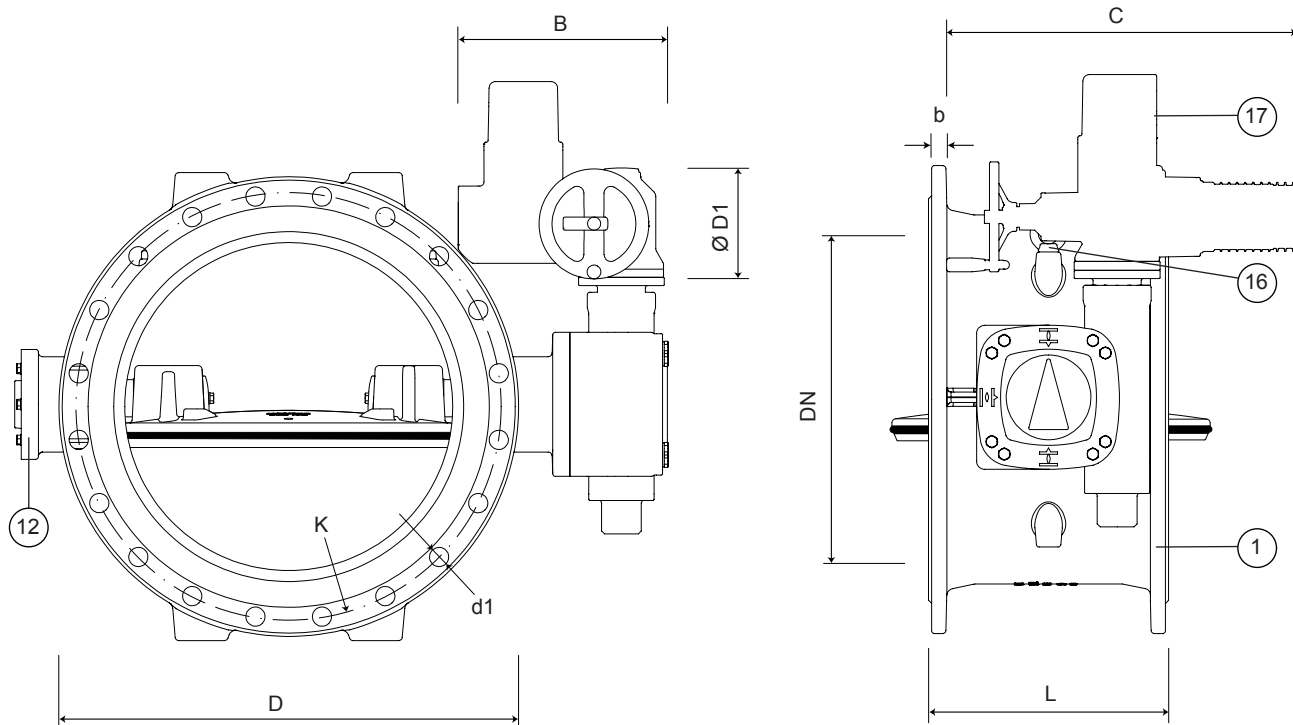
Branch office: Rua de Aveiro 50, 3050-420 Pampilhosa – Portugal | Tel.: (+351) 239 490100 | Fax: (+351) 231 949292 | comercial@fucoli-somepal.pt

BUTTERFLY VALVE DUPLEX 500

with seat in ductile cast iron, gearbox and Auma electric actuator

DN 150 - 1100 PN10/16/25

04.100A



Seal detail with body seat in ductile cast iron EN-GJS-500

Component list

pos.	components	material	standard
1	Body	Ductile iron EN-GJS-500-7	EN 1563
2	Shafts	Stainless steel AISI 304	EN 10088 - 1
3	Shafts bushing	Bronze CuSn ₇ Zn ₄ Pb ₇	EN 1982
4	Body seat	Ductile iron EN-GJS-500-7	EN 1563
5	Obturator	Ductile iron EN-GJS-500-7	EN 1563
6	Stud	Stainless steel A2	EN 10088 - 1
7	Obturator sealing	Elastomer EPDM	EN 681 - 1
8	Seal tightening ring	Ductile iron EN-GJS-500-7	EN 1563
9	O-rings	Elastomer EPDM	EN 681 - 1
10	Locking ring O-ring	Bronze CuSn ₇ Zn ₄ Pb ₇	EN 1982
11	Bolts	Stainless steel A2	EN 10088 - 1
12	Side bonnet	Ductile iron EN-GJS-500-7	EN 1563
13	Shafts sealing	Elastomer EPDM	EN 681 - 1
14	Shafts washer	Stainless steel AISI 304	EN 10088 - 1
15	Gearbox	-	-
16	Lifting eyes	Steel zinc plated	-
17	AUMA electric actuator	-	-

continued on next page

BUTTERFLY VALVE DUPLEX 500

with seat in ductile cast iron, gearbox and Auma electric actuator
DN 150 - 1100 PN10/16/25

04.100A



continued from previous page

Reference and dimensions

DN	PN	code	D	L	K	n° x d1	b	AUMA atuator	B	C	Ø D1	RPM atuator	closed time s.	Kg approx.
			mm	mm	mm	mm	mm		mm	mm	mm			
150	10/16	10764175A	285	210	240	8 x 23	19	SA 7.6	300	514	160	22	35	58
150	25	10769175A	300	210	250	8 x 28	20	SA 7.6	300	514	160	22	35	61
200	10	10764195A	340	230	295	8 x 23	20	SA 7.6	300	514	160	22	35	71
200	16	10765205A	340	230	295	12 x 23	20	SA 7.6	300	514	160	22	35	71
200	25	10769195A	360	230	310	12 x 28	22	SA 7.6	300	514	160	22	35	76
250	10	10764215A	400	250	350	12 x 23	22	SA 7.6	300	514	160	16	48	97
250	16	10765225A	400	250	355	12 x 28	22	SA 7.6	300	514	160	16	48	98
250	25	10769215A	425	250	370	12 x 31	24.5	SA 7.6	300	514	160	16	48	110
300	10	10764235A	455	270	400	12 x 23	24.5	SA 7.6	300	514	160	16	48	118
300	16	10765245A	455	270	410	12 x 28	24.5	SA 7.6	300	514	160	16	48	121
300	25	10769235A	485	270	430	16 x 31	27.5	SA 10.2	313	537	200	16	50	126
350	10	10764255A	505	290	460	16 x 23	24.5	SA 7.6	300	514	160	16	50	148
350	16	10765265A	520	290	470	16 x 28	26.5	SA 10.2	313	537	200	16	50	159
350	25	10769255A	555	290	490	16 x 34	30	SA 10.2	313	537	200	16	50	164
400	10	10764275A	565	310	515	16 x 28	24.5	SA 7.6	300	514	160	16	50	164
400	16	10765285A	580	310	525	16 x 31	28	SA 10.2	313	537	200	16	50	184
400	25	10769275A	620	310	550	16 x 37	32	SA 7.6	300	514	160	32	98	213
450	10	10764295A	615	330	565	20 x 28	25.5	SA 7.6	300	514	160	32	98	225
450	16	10765305A	640	330	585	20 x 31	30	SA 7.6	300	514	160	32	98	249
450	25	10769295A	670	330	600	20 x 37	34.5	SA 7.6	300	514	160	32	98	245
500	10	10764315A	670	350	620	20 x 28	26.5	SA 7.6	300	514	160	32	98	259
500	16	10765325A	715	350	650	20 x 34	31.5	SA 7.6	300	514	160	32	98	287
500	25	10769315A	730	350	660	20 x 37	36.5	SA 10.2	313	537	200	32	98	309
600	10	10764335A	780	390	725	20 x 31	30	SA 7.6	300	514	160	32	98	346
600	16	10765345A	840	390	770	20 x 37	36	SA 10.2	313	537	200	22	142	386
600	25	10769335A	845	390	770	20 x 41	42	SA 10.2	313	537	200	22	142	393
700	10	10764355A	895	430	840	24 x 31	32.5	SA 10.2	313	537	200	22	142	486
700	16	10765365A	910	430	840	24 x 37	39.5	SA 10.2	313	537	200	22	142	494
700	25	10769355A	960	430	875	24 x 44	46.5	SA 10.2	313	537	200	32	207	664
800	10	10764375A	1015	470	950	24 x 34	35	SA 10.2	313	537	200	22	142	564
800	16	10765385A	1025	470	950	24 x 41	43	SA 10.2	313	537	200	32	207	677
800	25	10769375A	1085	470	990	24 x 50	51	SA 10.2	313	537	200	45	288	889
900	10	10764395A	1115	510	1050	28 x 34	37.5	SA 7.6	300	514	160	32	207	797
900	16	10765405A	1125	510	1050	28 x 41	46.5	SA 7.6	300	514	160	45	288	908
900	25	10769395A	1185	510	1090	28 x 50	55.5	SA 10.2	313	537	200	45	288	1016
1000	10	10764415A	1230	550	1160	28 x 37	40	SA 10.2	313	537	200	22	301	974
1000	16	10765425A	1255	550	1170	28 x 44	50	SA 10.2	313	537	200	32	405	1120
1000	25	10769415A	1320	550	1210	28 x 57	60	SA 14.2	377	725	315	22	578	1410
1100	10	10764435A	1340	590	1270	32 x 37	42.5	SA 10.2	313	537	200	32	405	1758
1100	16	10765445A	1355	590	1270	32 x 44	53.5	SA 14.2	377	725	315	22	578	1834



Fucoli Somepal
FUNDIÇÃO DE FERRO, S. R. L.

Visit our website at www.fucoli-somepal.pt

Head office: Estrada de Coselhas, 3000-125 Coimbra – Portugal | Tel.: (+351) 239 490100 | Fax: (+351) 239 490198

Branch office: Rua de Aveiro 50, 3050-420 Pampilhosa – Portugal | Tel.: (+351) 239 490100 | Fax: (+351) 231 949292 | comercial@fucoli-somepal.pt



100% MADE IN EUROPE